

ダウンライト Ø90



特色:
 屋内の雰囲気やタスク照明に適しています。

製品品番:
 BLL74D120-TXX1208HBT1
 BLL74D120-TXX2404HBT1
 BLL74D120-TXX1805HBT1
 BLL74D120-TXX3007HBT1

*"X" means CCT option,
 弊社営業にお問い合わせください

認証:



電気仕様

入力電圧	消費電力	定格周波数	力率	調光	待機電力
100-240V	10W	50/60 Hz	>0.7	APP	<0.5W

光学仕様

全光束	標準 CRI	ビーム角度	光照度	CH	調光調色
800 lm	80	105°	250 lx	1	1CCT + Dim
色温度オプション		CRI オプション		2	CCT Tuning + Dim
2700-6500K		90/95		4	RGB+ 1 CCT + Dim
伝送距離	15-20M			5	RGB + CCT Tuning +Dim

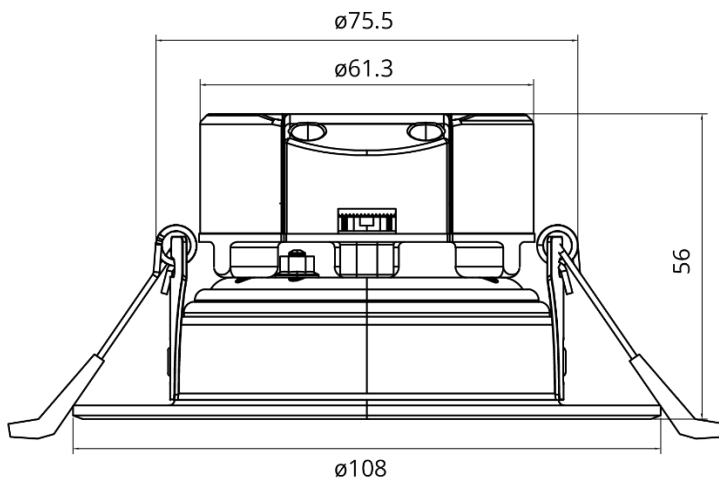
梱包情報

寸法	Ø60*110 mm	重量	164g
梱包方法	24 PCS per Carton		
カートンサイズ	525*400*290 mm	総重量	6.5 KG

その他の情報

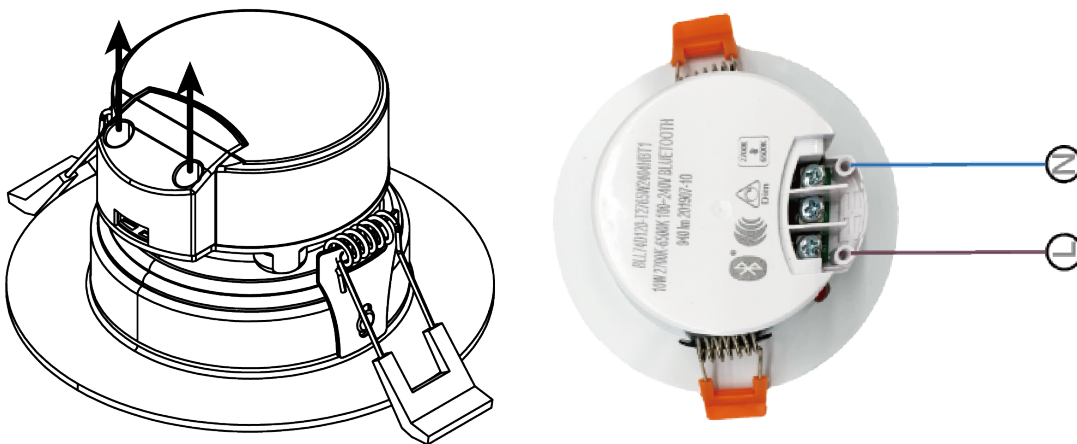
ベース コネクタ	動作温度 -20-40°C	保管温度 -20-70°C
-------------	------------------	------------------

2D Diagram (mm)



Installation and Wiring Diagram

- Drill the hole on the mounted surface. Note: the diameter of the hole should be less than 80 mm but big enough to push the body of the downlight in.
- Loosen the screws on the back and take out the cover.
- Connect the power lines according to the following wiring diagram.
- Put back the cover and tighten the screws, and then install the downlight inside the surface and use the clip to fix the downlight.



APP Setup

BLTC Smart lamps and luminaire are paired and controlled by BLTC's APP: HOZBEE and FIREBEE. The APP can be downloaded from Google Play or APP Store or scan the following QR Code:

HOZBEE



FIREBEE



Please check our website for more information about how to operate the APP, or download the user manual from below website:

<https://www.bltc.com.tw/download/download-user%20manual>

Manual Device Reset

In case of connection missing and manual reset needed, please follow the procedures:

1. Turn on the power of the device for 10-15 seconds, and then turn it off for about 5 seconds.
2. Repeat the operation 3 times until the device or indication LED flashes 3 times. The flashed colors may be white or red.
3. Then the device will return to its pre-set condition.

Safety Instructions:

- The products should be used with the specified wattage from appropriate equipment to prevent breakage or overheating.
- Operate the products in the appropriate position to prevent damage or overheating.
- Turn off the electrical power while installing, removing, or cleaning the products.
- Keep the products out of reach to the children.
- Avoid to use in high humidity locations unless necessary ingress protection is marked.
- Avoid to use where high volume of flammable substance such as gasoline or dust in the air.
- Avoid to use adjacent to flammable substances such as gasoline, paints, lacquer, and oil etc.
- Avoid to use in acid environment.
- Avoid to use where impact or vibration is likely to occur.
- Do not use bare hand or stained gloves to install, remove, or clean the products.
- Do not cover the products with paper, fabric, or any flammable substance.
- Do not insert metal objects into the gaps of the products.
- Do not disassemble or reconstruct the products.
- Do not stare directly the products while they are turned on.
- Do not wash the products by water or any detergent.
- Do not install the products in the sealed fixture unless specified in datasheet.
- Do not install the products on damaged sockets.
- Do not paint, dye, or put colors on the products.

Transformer selection guide for low voltage lamp:

There are 3 different types of transformer are used for 12V products

- Electronic AC Transformer
- Magnetic AC Transformer
- DC Transformer

The Electronic Ac transformer is mainly used for traditional halogen lamp. LED based product may have flicker or being off while connecting the Electronic AC Transformer.

Mesh Network and connection:

All BLTC Smart Lighting retrofit, luminaire, and expansions except for gateway series products, are connected and communicated by blue tooth network. The messages are encrypted with AES 128-256 by BLTC network, and therefore the standard blue tooth connection tools in phones or other devices cannot be linked.

The transmission range listed in the datasheet is measured in an open area. In reality, the practical connecting distance between devices depends heavily on the interior design and the locations of the devices. The device complies with national regulations of radio frequency in different countries (e.g. Part 15 of FCC) under the following circumstances:

- (1) The device may not cause harmful interference
- (2) The device must accept any interference received, including interference that may cause undesired operations.

Change of antenna in or on the devices may result in the device exceeding the RF exposure requirement.