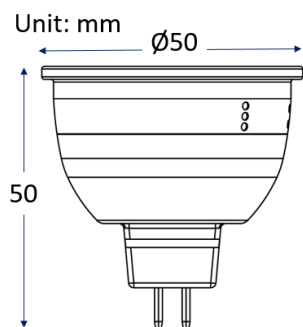


TRITUNE MR16 50W Halogen Equivalent



Feature:

- One Lamp, Three Adjustments, Multiple Spec
- Adjustable beam angle: 20°/25°/40°/50°
- Selectable CCT: 2700K / 4000K / 5000K
- High power factor design (PF ≥0.9)
- Compatible with TRIAC dimmers
- Ideal for retail, hospitality, accent lighting. etc.

Product Number:

BLVMR1653AA-XVWBW017L

*Contact our sales for more details

Compliance with:



Electrical Specification

Input Voltage	Power	Frequency	Power Factor	Dimming
12V	6.5W	50/60 Hz	>0.9	YES

Optical Specification

Total Flux	STD CCT	STD CRI	Beam Angle	CBCP
450 lm	2700K/4000K/6500K	≥80	20°/25°/40°/50°	1700 cd @20°
	CCT OPTION	CRI OPTION		
	TBD	≥90		

Dimension & Packing Information

Size	Ø50*50mm	Unit Net Weight	58g
Packing Method	100 PCS per Carton		
Packing Size	290*290*400 mm	Gross Weight	7.8KG

Other Information

Lamp Base	Operation Temperature	Storage Temperature
GU5.3	-20-40°C	-20-70°C

Product Overview

TRITUNE combines adjustable beam angle, switchable color temperature, and dimming in one lamp — replacing multiple fixed SKUs with a single product. All three adjustments are made by hand.



Product Anatomy — Three Adjustment Zones

Operation — Four Beam Angle Adjustments

Switch off the power and let the lamp cool before making any adjustment.



Product Anatomy — Three Adjustment Zones

1. Hold the lamp body steady with one hand.
2. Rotate the front lens ring with the other hand to the next detent position.
3. The lens clicks into one of four fixed angles: **20° → 25° → 40° → 50°**.
 - **20°–25°** Narrow spot — accent lighting, artwork, merchandise highlights
 - **40°–50°** Wide flood — general wall washing, ambient fill

Operation — Three CCT Selection



1. Locate the mid CCT ring below the lens section.
 2. Rotate the ring to the next detent. Each step switches the color temperature.
 3. Setting is mechanical — **the selected CCT is retained after power-off** and restored automatically on the next power-on.
- **2700K** Warm white — hospitality, residential, relaxed ambience
 - **4000K** Neutral white — retail, gallery, office
 - **6500K** Daylight — display, task, commercial

Operation — Dimming

- The built-in dimmable PSU supports smooth dimming with a compatible trailing-edge (ELV) dimmer (recommended). Leading-edge (TRIAC) dimmers may work but can flicker at low levels.
- Our dimmable products can work with most of the leading edge and trailing edge dimmers but we cannot guarantee problems such as flicker or noise will not happen in all dimmers in the market.
- User will be advised to test the dimmer compatibility before installation.

Safety Instructions:

- The products should be used with the specified wattage from appropriate equipment to prevent breakage or overheating.
- Operate the products in the appropriate position to prevent damage or overheating.
- Turn off the electrical power while installing, removing, or cleaning the products.
- Keep the products out of reach to the children.
- Avoid to use in high humidity locations unless necessary ingress protection is marked.
- Avoid to use where high volume of flammable substance such as gasoline or dust in the air.
- Avoid to use adjacent to flammable substances such as gasoline, paints, lacquer, and oil etc.
- Avoid to use in acid environment.
- Avoid to use where impact or vibration is likely to occur.
- Do not use bare hand or stained gloves to install, remove, or clean the products.
- Do not cover the products with paper, fabric, or any flammable substance.
- Do not insert metal objects into the gaps of the products.
- Do not disassemble or reconstruct the products.
- Do not stare directly the products while they are turned on.
- Do not wash the products by water or any detergent.
- Do not install the products in the sealed fixture unless specified in datasheet.
- Do not install the products on damaged sockets.
- Do not paint, dye, or put colors on the products.

Transformer selection guide for low voltage lamp:

There are 3 different types of transformer are used for 12V products

- Electronic AC Transformer
- Magnetic AC Transformer
- DC Transformer

The Electronic Ac transformer is mainly used for traditional halogen lamp. LED based product may have flicker or being off while connecting the Electronic AC Transformer.

Dimmer selection guide for low voltage lamp :

Traditional Triac dimmer only works for AC transformer. Therefore, the dimming effect depends heavily on the combination of dimmer and transformer. Please contact us for more information.

Dimming guide for dimmable lamp:

Our dimmable products can work with most of the leading edge and trailing edge dimmers but we cannot guarantee problems such as flicker or noise will not happen in all dimmers in the market.

Most dimmers can be loaded with LED light source up to 20% of its typical power.

When dimmer is off, the LED light source may still emit a tiny and visible light.

Mixed load may cause unexpected dimming behavior or even defects, which is not belong to the quality guarantee.

Minor noise or flickers may occur while tuning dimmers.

Please adjust the dimmer until the light tuned to a steady level