

T-type-LED Lamp

MR16-4.8W

(3X1.1W&3X1.3W LED)

GU5.3/EZ10

- General Spec • Optical Spec



CONTENTS

B.L.T.C. Profile.....	2
Features.....	3
Electrical Specification.....	4
Mechanical Dimension.....	5
Product Packing.....	6
Luminaire Notice & Transformer Compatibility & Life.....	7
Principles of Ordering Number.....	8
Product Warranty	10
Safety approbations.....	10

B.L.T.C. Profile

Beautiful Light Technology Corporation (B.L.T.C.) was established in March, 2005 in Chia-Yi County, Taiwan. B.L.T.C. focuses on all-in-one lighting solution with LED technology, specializing in High Power LED lamps.

We have strong staff in fields of marketing, electronics, optics, mechanism, business administration and purchasing. B.L.T.C. provides the global market with a large portfolio of innovative products.

Management Principles

- ★ User-friendly in Lighting Application
- ★ Innovation in Technology
- ★ Conformed to Lighting Standard
- ★ Quality Guaranteed





T-type-LED Lamp-MR16

- Most advanced LED source : Nichia, Cree or Lumileds.
- Professional design to efficiently work components of power, thermal solutions and optics
- Reliable quality and flexible leadtime
- CRI(RA):Warm White+80 / Natural White+80 / Cool White+70
- Available White : 2,500~6,500K CCT
- Long lifetime : Min 20,000 hours, Typical 40,000 hours

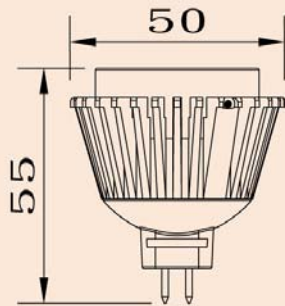


Electrical Specification

Part Number	BLT16XXXX- NX31L				BLT16XXXX- CX31L			
LED Type								
Color	Cool White		Warm White		Cool White	Netural White	Warm White	
Color Temperature	4700K~5700K		2500K~3200K		5000K~6500K	4000K~4500K	2500K~3200K	
MIN C.R.I.	70		80		70	80	80	
Luminous Flux Of Lamp (lm)	207		196		252	232	202	
Efficiency Lumens/Watt (lm/W)	63		59		72	66	58	
Operating Voltage (V)	AC/DC 12V							
Power Consumption +/-10% (W)	3.3W (MAX.4.8W)				3.5W (MAX.4.8W)			
Beam Angle	SS 13°	N40 22°	W 38°	D120 84°	SS 10°	N40 22°	W 35°	D120 74°
Base Type	GU5.3/EZ10							
Operating Temperature	-20°~+40°C							

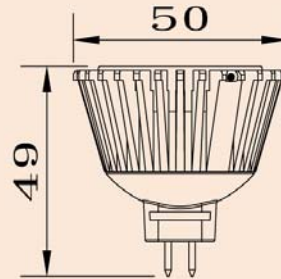
Mechanical Dimension (mm)

SS / N40 / W

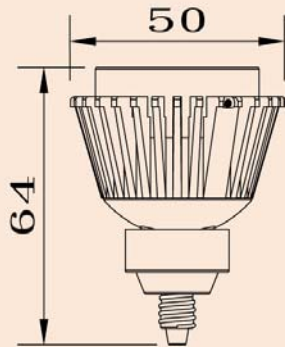


GU5.3

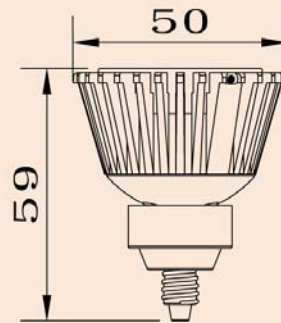
D120



GU5.3

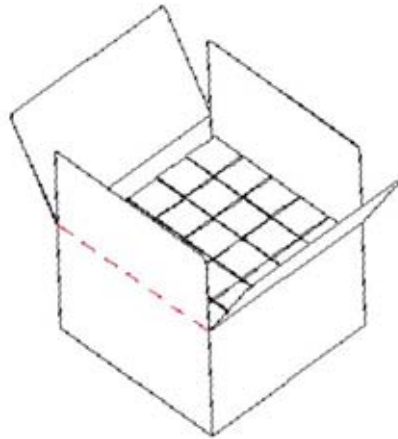


E27



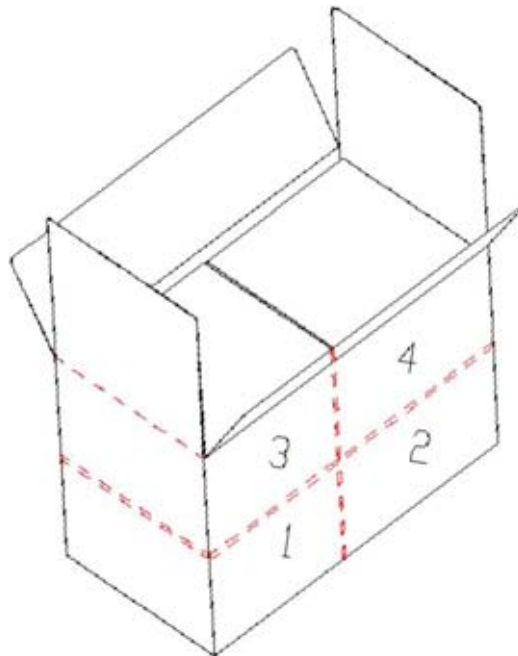
E27

Product Packing Type-MR16



Gift Box / White Box
L:53*W:53*H:83.5mm

Inner Carton / L:290*W:290*H:400mm



Master Carton / L:600*W:310*H:420mm

In 1 Master Carton

In 1 Inner Carton

In 1 White Box

4 Inner Cartons (200 White Boxes)

50 Boxes in 1 Inner Carton

1pc of Lamp

Luminaire Notice

The T-type MR16 is not compatible with all luminaires for halogen lamps. Before installation, please read following guidelines:

- No sealed fixtures.
- Not for outdoor fixtures.
- Not for wet environment except IP65 version.
- Not for integral primary optics.

Transformer Compatibility

Consider the following when selecting transformers for use with MR16 LED.

- AC12V Magnetic Transformer:

The LED bulb is compatible with magnetic transformers used with 12V halogens; however, magnetic transformers are heavier, less efficient, and make noise. Under 12VAC condition, T-type series MR16 LED can only present 90% lighting comparing the condition under 12VDC.

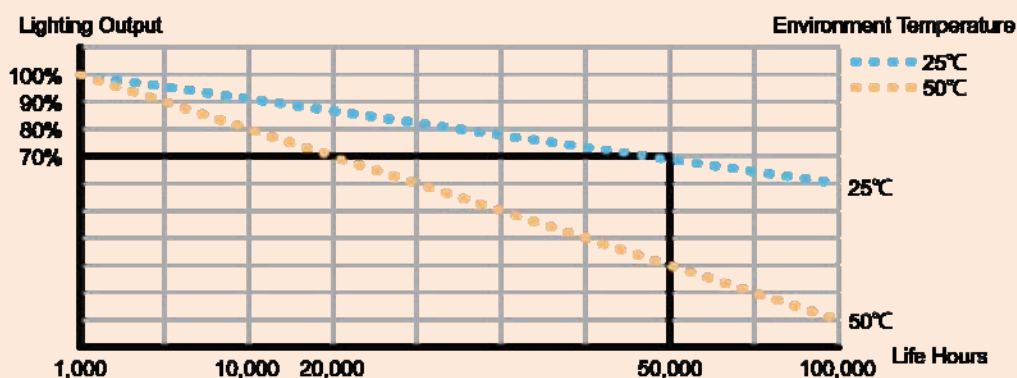
- AC12V Electronic Transformer:

The LED bulb is not compatible with electronic transformers or electronic-magnetic AC12V due to the output section of this kind of transformers are not stable. Besides, some electronic transformers require a minimum load higher than 5~10Watt in order to work properly. - Symptoms of incompatibility include: no light output, flickering, strobe and randomly shutdown.

- DC12V Power Supply:

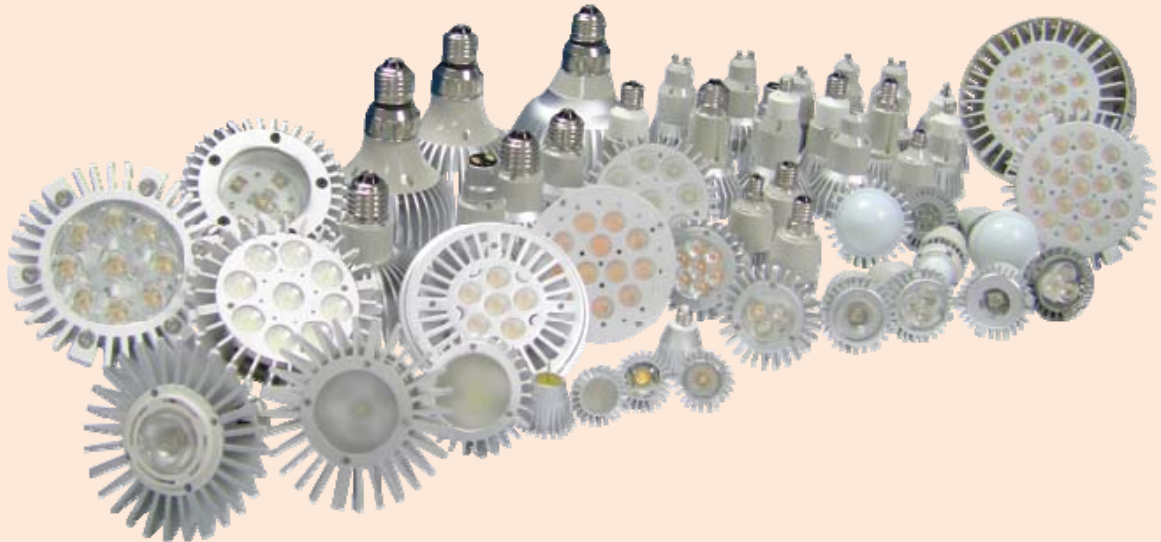
T-type MR16 can perform highest brightness and power efficiency under DC12V power supply.

Life, Reliability and Lumen Maintenance



Lighting Output & Life Hours

B.L.T.C. Principles of Ordering Number for Bulbs



BL **X** **X** **X** **X** - **X** **X** **X** **X** **X** **X** **X**
 1 2 3 4 5 6 7 8 9 10 11 12

1. For B.L.T.C.	
2. Bulb Type	
T	T type
M	M type
S	S type
3. Bulb Shape	
G4	G4
11	MR11
16	MR16, PAR16
20	PAR20
30	PAR30
36	PAR36
38	PAR38
40	BA15D
111	AR111
50	A50
60	A60
70	A70
55	B55/ PRO B55
75	B75
83	Candle light

4. Bulb Head (Lamp Holder)	
4.1 For Low Voltage	
40	G4.0(G4)/GU4.0/GZ4.0(MR11)
Z10	EZ10(MR16)
53	GU5.3 (MR16)/G53(AR111/PAR36)
ST	Screw Terminal (AR111/PAR36)
15	BA15D/BA15S
4.2 For High Voltage	
10	GU10(PAR16/PAR20/AR111)
11	E11(PAR16/PAR20)
14	E14(PAR16/PAR20/A60)
17	E17(PAR16/PAR20/A60)
22	B22(PAR16/PAR20/A60/A70)
26	E26(PAR16/PAR20/PAR30/PAR38/A60/A70)
27	E27(PAR16/PAR20/PAR30/PAR38/A60/A70)
39	E39 (B55/B75)
40	E40(B55/B75)

5. Optics	
N15	08°(MR16/PAR16/PAR30/AR111/PAR36/PAR38)
N25	16°(MR16/PAR16/PAR30/AR111/PAR36/PAR38)
N40	21°(MR16/PAR16/PAR20/PAR30/AR111/PAR36/PAR38)
N60	26°(MR16/PAR16/PAR30/AR111/PAR36/PAR38)
N80	41°(MR16/PAR16/PAR30/AR111/PAR36/PAR38)
SS	8~15°(MR16/PAR16/PAR20/PAR30/AR111/PAR38/B55)
M	16~25°(MR16/PAR16/PAR20/PAR30/AR111/PAR38/B55)
W	32~40°(MR16/PAR16/PAR20/PAR30/AR111/PAR38/B55)
WD	40°(PAR30/AR111/PAR38/B55)
WW	55°(PAR20/PAR30/AR111/PAR38/B55)
S40	40°(MR11)
S60	36°(MR16)/15°~67°(PAR30)
D120	88°(For all series except base light)
BB	>130°(A50/A60/A70/Candle light) color : transparent
CC	>130°(A50/A60/A70/Candle light) color : white
6.LEDBrand	
C	Cree
N	Nichia
L	Lumiled
O	Everlight / Prolight
7.Color	
R	Red
G	Green
B	Blue
A	Amber
W	Cool White
NW	Neutral White
WW	Warm White

8.LED Quantity & power consumption	
1	1X1.1/1.3/1.5W--G4 /MR11
2	1X2W-- /MR11 MARK II
19	1X9W--PAR30
3	1X2.5W--MR16 / PAR16/Candle light
5	1X4/4.5W--MR16 / PAR16
31	3X1.1/1.3W/2.5W--MR16/PAR16/ PAR36
41	4X1.0W/1.3W--MR16/PAR16/A50
42	4X2W--PAR20
51	5X1.0W--MR16/PAR16/PAR36
52	5X2W-PAR16
61	6X1.2W--PAR20
62	6X2.0W--AR111
33	3X2.5W--PAR20
71	7X1.0W--PAR20
91	9X1.1/1.3W--PAR30
92	9X2W--PAR38
121	12X1.1W-- PAR30 Mark II 、 III
161	16X1.1W --PAR38 Mark II 、 III/B55
162	16X2W- PRO B55
182	18X2W- B75
9.Input Voltage	
L	12V
M	24V
S	Fixed current
H	85-260V
H1	110V
H2	220V
10.Other Division	
LG	Long holder
XP	Cree(MCE)
RL	Indoor Lighting
DM1	4-Step Dimming
DM2	Dimmable Lamp
N	New Plastic back
AD	Angle Adjustable
AD90	Angle Adjustable CRI90
11.New/Old Version of Holders	
(None)	New
O	Old
12.Customized Modification	
XX	2-digit code for customers

Product Warranty

B.L.T.C. warrants products for 3 year from the date of purchase that B.L.T.C. is responsible for defects in materials and workmanship which may lead to failure of the bulb.




-During the warranty period, if the product fails to perform as described above, B.L.T.C.'s entire liability will be the repair or replacement of such defective products. In no event shall B.L.T.C. be responsible for removal or reinstallation of any product or for the expenses thereof.

-The above warranty does not apply to, and B.L.T.C. makes no warranties with respect to products which have been subjected to misuse, neglect, accident, abuse, operating or environment conditions that deviate from the conditions warned in applicable specifications; or have been improperly installed, stored, maintained, repaired or altered by anyone other than B.L.T.C. or have had their serial numbers or month and year of manufacture or shipment removed, defected or altered.

-This warranty is given only to the original purchaser and may not be assigned or transferred to any other party. It is purchaser's obligation to retain documentation that indicated date of purchase.

Safety & Environment Specifications

T-type MR16 bulbs are manufactured to conform to the following safety approbation.

Certificated Mark	Items of certificated standard
	EMC: EN55015,EN61000-3-2,EN61000-3-3,EN61547 (IEC61000-4-2, IEC61000-4-3 IEC61000-4-4, IEC61000-4-5, IEC61000-4-6, IEC61000-4-8, IEC61000-4-11) LVD: EN60968, EN61347-1, EN61347-2-13, EN60598-1, EN60598-2-4
	Part18 Subpart C
VCCI	CISPR22 ClassB 10M Radiation
REACH	Regulation (EC) No.1907/2006: (REACH) Article 33
	Directive 2002/95/EC (RoHS) and corresponding amendment directives

